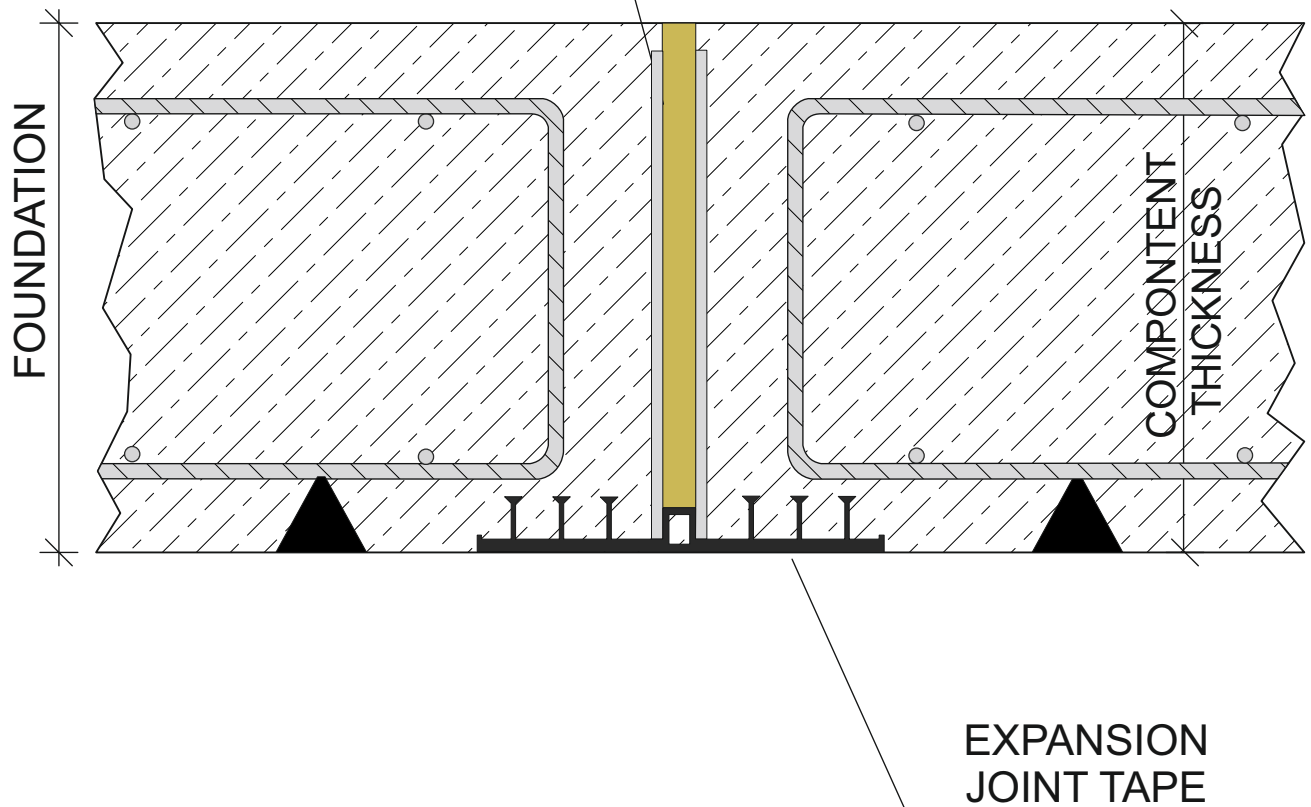


ABS SOUNDPROOFING JOINT ELEMENT



ABS SOUNDPROOFING JOINT ELEMENT FOR EXTERNAL JOINT TAPE in Foundation

MASTERTEC GmbH & Co. KG
special articles for reinforced
concrete construction



Planning information:

Scale: 1:5
Unit of measurement: mm
Status: 07.06.2024

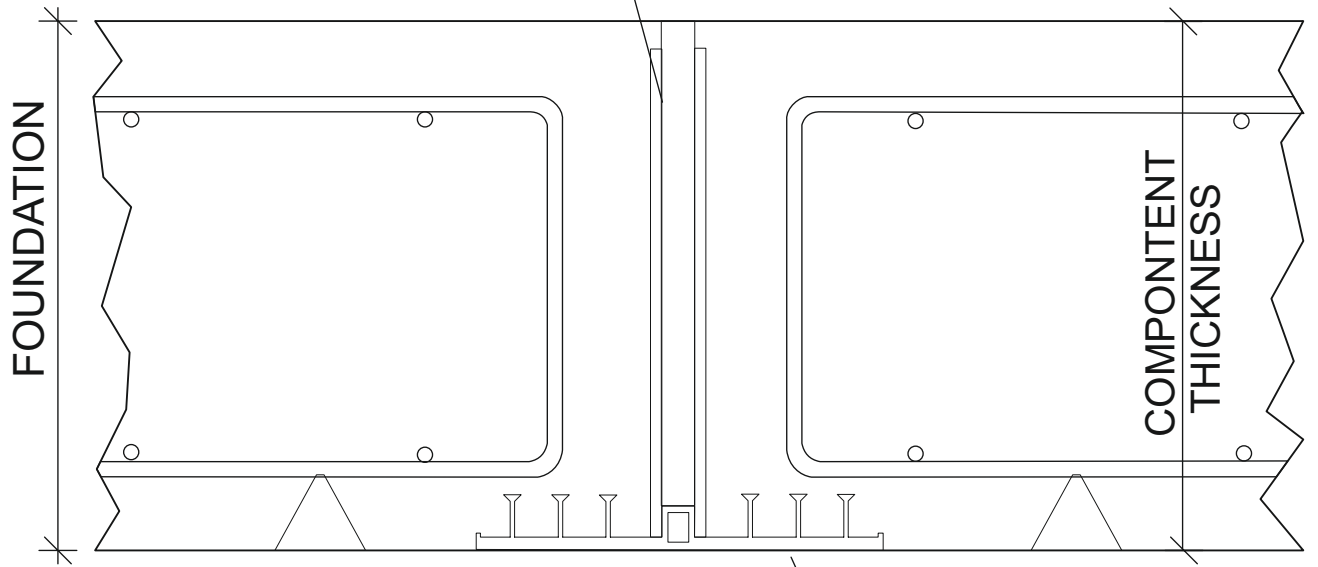
Product information:

Articlenumber: 070944S - 070947S
Product information at
www.mastertec.eu

Gewerbegebiet Unterhaid
Im Maintal 13
D-96173 Oberhaid

Tel: +49 (0) 9503 / 5047-0
Fax: +49 (0) 9503 / 5047-20
Mail: info@mastertec.eu

ABS SOUNDPROOFING
JOINT ELEMENT



FOUNDATION

COMPONENT
THICKNESS

EXPANSION
JOINT TAPE