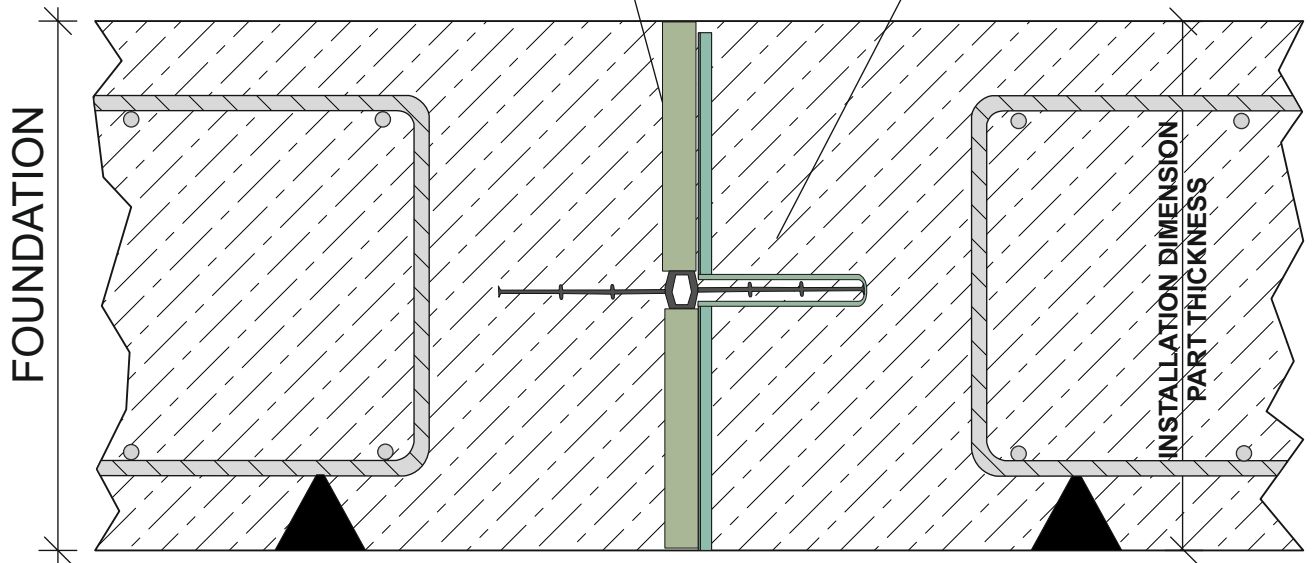


**ABS-EXPANSION JOINT
ELEMENT**

**EXPANSTION JOINT
TAPE**



**ABS EXPANSION JOINT ELEMENT
ONE-PART in Foundation**

MASTERTEC GmbH & Co. KG
Special articles for reinforced
concrete construction



Planning information:

Scale: 1:5
Unit of measurement: mm
Status: 07.06.2024

Product information:

Article number: 070948 - 070975
Product information at
www.mastertec.eu

Gewerbegebiet Unterhaid
Im Maintal 13
D-96173 Oberhaid

Tel: +49 (0) 9503 / 5047-0
Fax: +49 (0) 9503 / 5047-20
Mail: info@mastertec.eu

ABS-EXPANSION JOINT
ELEMENT

EXPANSTION JOINT
TAPE

